

Multiparameter analyzer  
for analog, digital and  
Memosens sensors

# Stratos *Evo*





# Stratos

## The Multi-Talents for Process Analytics

With its exceptional range of functions and application-oriented design, Stratos is well-established in the entire chemicals industry, in process and power plant engineering and in the pharmaceutical and biotechnology industries.

Suitable for all conceivable indoor and outdoor scenarios, the Stratos brand is today a synonym for innovation and reliability in process applications around the world – for example in starch production in Germany,

sugar manufacturing in Brazil, cooling water monitoring in France or medicine production in Belgium.

The next stage of evolution for analyzers: Stratos Evo. A multiparameter device for operation with digital and analog sensors.

## Stratos **Evo**

Multiparameter device with HighPower sensor supply

### One device for all parameters and all sensors

Depending on requirements, Stratos Evo can be simply switched over to different process variables.

The integrated HighPower sensor supply enables the operation of optical oxygen sensors which are immune to interference.

For measurements with analog sensors, Stratos Evo can be adapted to the desired process variable using measuring modules.



*Memosens sensors:  
pH/ORP, conductivity,  
oxygen*



*Digital toroidal  
conductivity sensor*

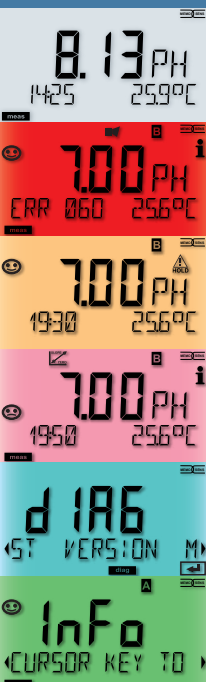


*Analog sensors:  
pH/ORP, conductivity,  
oxygen*



*Digital optical  
oxygen sensor*





White:  
Measuring mode

Red flashing:  
Alarm, error

Orange:  
HOLD mode

Magenta:  
Maintenance request

Turquoise:  
Diagnostics

Green:  
Info texts



### The digital platform

The digital functionality eliminates a large number of interferences which can occur with analog devices. The use of sensor cables with a length of up to 100 m and the advanced diagnostics options are just two advantages of the digital technology.

### Power supply for external 2-wire transmitters

Another major benefit of the High-Power sensor supply is the option to supply external 2-wire transmitters, e.g. pressure or flow transmitters. The respective signal can be displayed and processed via the 4 to 20 mA input.

### Device status at a glance

Stratos Evo features intuitive operation with color-coded user guidance. The high-contrast widescreen display indicates the respective operating states in six different colors: Normal measuring mode is backlit in white while information mode displays are illuminated in green. The diagnostics menu, maintenance request and the hold mode are each indicated by unique colors. The alarm status is indicated in a vibrant red, a flashing red display is a sign of impermissible entries or incorrect passcodes. Scrolling plain text messages and self-explanatory icons simplify operation.

### Explosion protection for application in Zone 2

The special circuit technology ensures low self-heating and an extremely high reliability. Stratos Evo is certified to ATEX / IECEx and approved for use in Zone 2 hazardous environments.



**IP 67**

**NEMA 4X**



[www.knick-international.com/stratosevo](http://www.knick-international.com/stratosevo)



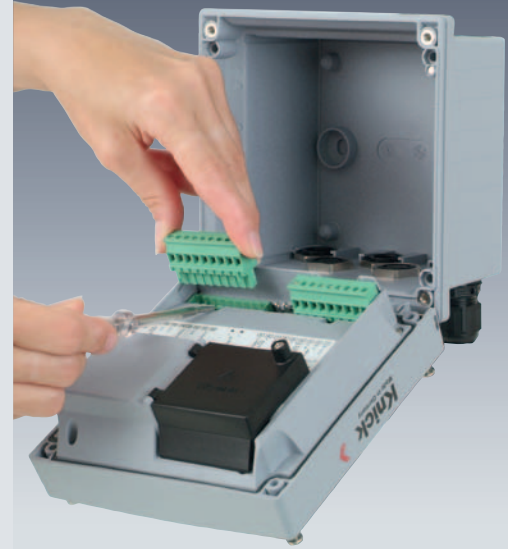
# Stratos *Evo*

## Measuring modules for operation with analog sensors

By simply plugging in a measuring module, Stratos Evo can be extended to work with analog sensors.

## Easy assembly

Stratos Evo is suitable for wall, pipe or panel mounting. The rear unit can be pre-assembled; all parts are easily accessible thanks to the large terminal compartment.



## Facts

- Multiparameter analyzer for analog and digital sensors as well as for contactless digital Memosens sensors
- One device for pH/ORP, conductivity or oxygen (configurable)
- Measuring modules for operation with conventional analog sensors
- HighPower sensor supply for
  - operating digital optical oxygen sensors
  - supplying external 2-wire transmitters
  - measuring and monitoring the flow using an external flow sensor
- Pressure correction for oxygen measurements
- 2-channel measurement: Memosens (pH/pH or pH/Oxy) or analog (Cond/Cond)
- Comprehensive features and flexibility enable universal application
- Signaling operating states by a multi-color backlit display
- Protective pane made of safety glass
- Intuitive operation with easy-to-understand icons
- Logbook (200 entries) AuditTrail
- Enhanced sensor diagnostic with wear indication, remaining lifetime, operating time, CIP/SIP counter and adaptive calibration timer
- HART communication
- IECEx and ATEX Zone 2 approvals
- Extremely robust, UV-resistant molded enclosure (IP 67)
- VariPower broad-range power supply for global use



[www.knick-international.com/stratosevo](http://www.knick-international.com/stratosevo)



Maintenance work when using Memosens sensors



Maintenance work when using conventional sensors



# Memosens

## Interference-free coupling

The Memosens inductive sensor connector system transfers both energy and data without contact between electrochemical sensors and analyzers.

## Pre-calibrated sensors

By using pre-calibrated sensors, Memosens ensures maximum availability and lower maintenance requirements at the point of measurement.

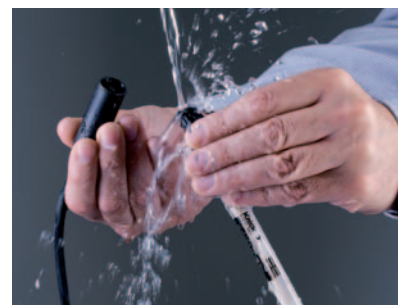
## Intelligent diagnostics

Memosens allows saving and analyzing process-related data directly in the sensor.

## Memosens.

### The benefits at a glance:

- Plug & Measure – Sensor replacement in seconds with pre-calibrated sensors
- Simple and safe plugging with bayonet coupling
- Contactless, digital data transfer
- All key data available in the sensor
- Longer sensor service life
- Error-free measurements, even in the toughest conditions
- Just one cable system for all sensors
- Measured values not influenced by excessively long cables





# Stratos *Evo*

## Product Range

### Stratos Evo

Stratos Evo 4-wire, multiparameter, digital basic unit

Order No.

A402N

Stratos Evo 4-wire, multiparameter, digital basic unit, Ex Zone 2

A402B



Protective hood

### Stratos Evo analog modules

pH/ORP module  
pH-/ORP module, Ex Zone 2

MK-PH 015N  
MK-PH 015B

COND module  
COND module, Ex Zone 2

MK-COND 025N  
MK-COND 025B

CONDI module  
CONDI module, Ex Zone 2

MK-CONDI 035N  
MK-CONDI 035B

OXY module  
OXY module, Ex Zone 2

MK-OXY 045N  
MK-OXY 045B

### Stratos Evo 2-channel modules, analog

COND/COND module

MK-CC 065N

### Stratos Evo 2-channel modules, Memosens

Memosens module  
2nd channel (pH/pH, pH/OXY)

MK-MS 095N

### TAN options

HART communication

SW-A001

Logbook

SW-A002

Extended logbook (Audit Trail)

SW-A003

Oxygen trace measurement

SW-A004

Current input and 2 digital inputs

SW-A005

ISM digital (for pH and oxygen process parameters)\*

SW-A006

Operation with Pfaudler pH sensors

SW-A007

### Accessories

Order no.

Pipe-mount kit

ZU 0274

Panel-mount kit

ZU 0738

Protective hood

ZU 0737

\*) MK-PH or MK-OXY module required



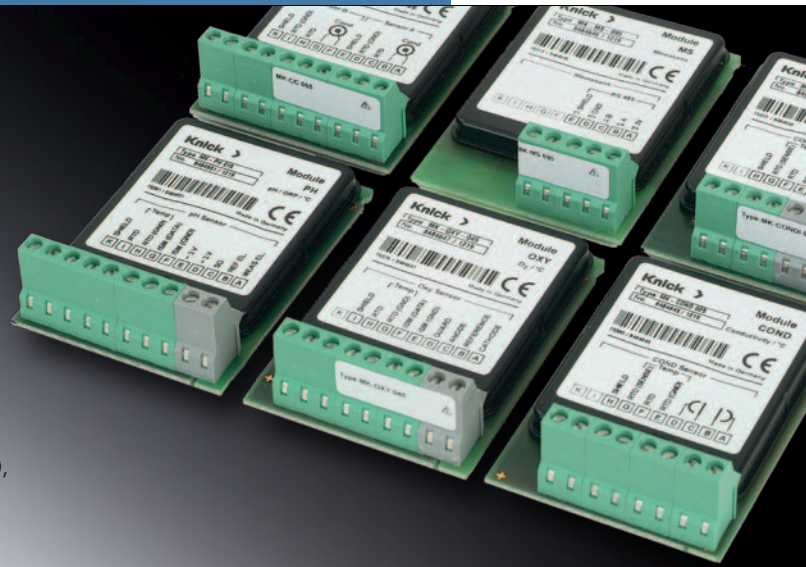
Measuring module



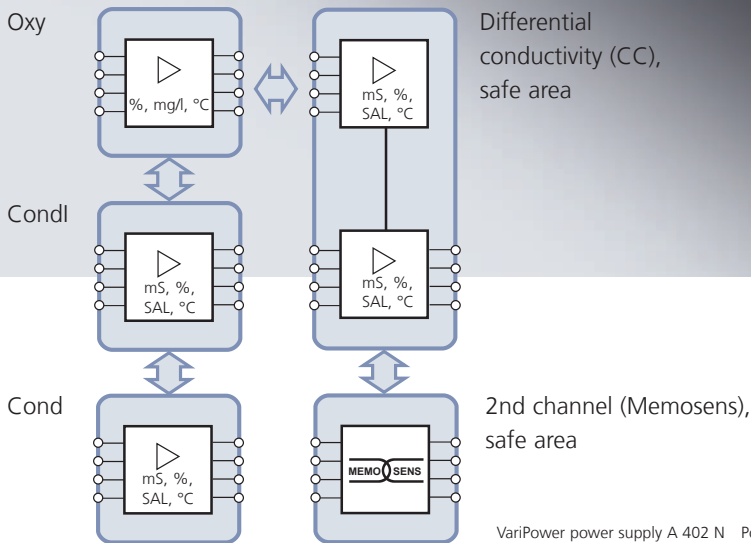
Post/pipe mounting



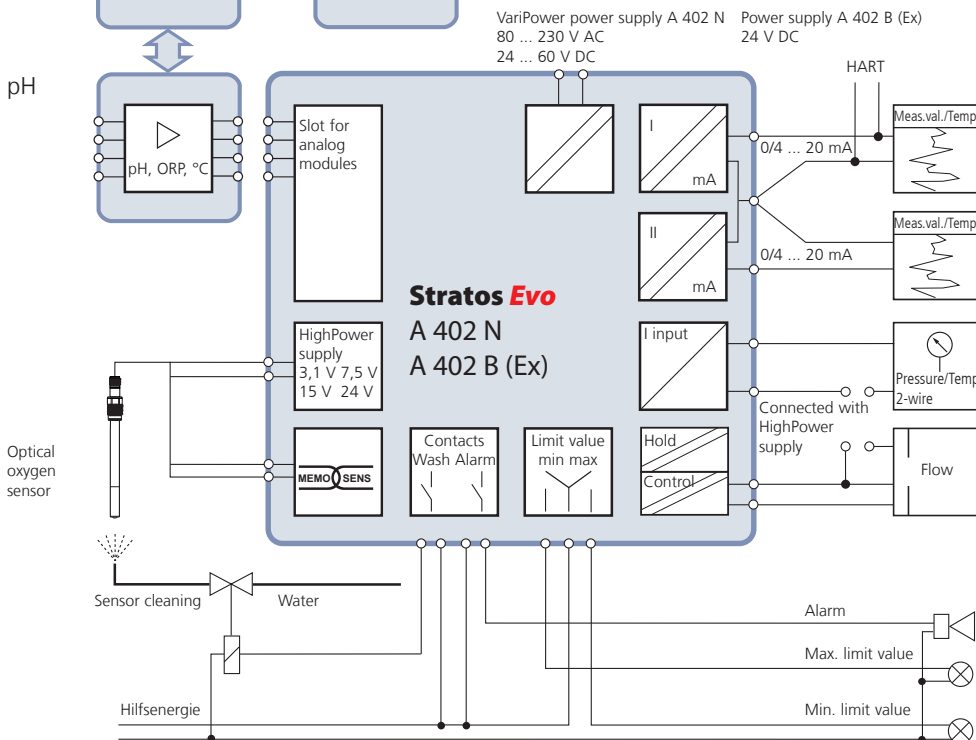
Panel mounting



Measuring modules for analog measurements



## Wiring Example





Interface Technology

Indicators

Process Analytics

Portables

Laboratory Meters

Sensors

Fittings

# Stratos

The Art of Expertise

## **Stratos *Evo***

4-wire devices, analog,  
digital and Memosens

## **Stratos *Pro***

2-wire devices, analog,  
digital and Memosens

## **Stratos *MS***

4-wire devices, digital  
and Memosens

## **Stratos *Eco***

4-wire devices, analog

## **Knick**

**Elektronische Messgeräte  
GmbH & Co. KG**

Beuckestraße 22, 14163 Berlin,  
Germany

Phone: +49 (0)30 - 801 91 - 0

Fax: +49 (0)30 - 801 91 - 200

knick@knick.de · www.knick.de