

# PCR

## Portable Calibration Rig

The PCR from Michell is a transportable gas blender in a flight case, suitable for calibrating a multitude of gas analyzers at virtually any location and has been designed to allow the blending of two or three gases to the required concentration. High quality 'Select Series' Mass Flow Controllers have been utilized to allow the best accuracy of the blend and allow the user to switch between background gases. Each channel has a filter, isolation valve, needle, valve, pressure gauge and a flame arrestor for added safety. The blending chamber ensures a complete mix without laminar flow. Swagelok® quick-connect fittings are employed for speed and ease of use. The unit is supplied with a small universal power supply and weighing just 23kg with wheels and a retractable handle means it is suitable and convenient for air travel.



### Highlights

- Blends two or three gases from Air, O<sub>2</sub>, N<sub>2</sub>, CO<sub>2</sub>, CH<sub>4</sub> & H<sub>2</sub>
- Select series MFC's programmed with all the above gases
- Flame arrestors fitted for additional safety
- Quick-Connect fittings, wheels and retractable handle for ease of use
- Rugged case that is water-tight (with lid closed & locked)

### Applications

- Field calibration of gas analyzers
- Blending of gases to mimic process variations in a laboratory
- Reduction of gas cylinders required on site

# Technical Specifications

Performance	
<b>Gases available*</b>	Air, O <sub>2</sub> , N <sub>2</sub> , CO <sub>2</sub> , CH <sub>4</sub> & H <sub>2</sub>
<b>Flow rate</b>	30 to 1500 ml/min per MFC
<b>Blend time</b>	Allow 5 mins for each blend to stabilize and flush through the mixing chamber and transit line
<b>Ambient temperature</b>	0 to +45°C
<b>Ingress protection</b>	IP66 with lid closed and locked
<b>Warm-up time</b>	30 minutes
<b>Dimensions</b>	624 x 498 x 297mm (h x w x d) (lid closed)
<b>Weight</b>	23kg
<b>Pressure</b>	Safe working pressure: 3 barg
<b>Power supply</b>	15 V DC from a universal power supply
<b>Gas connections</b>	QC4 bulkhead stem with shut off - 6mm Primary + O/P SCII cleaned

\*Other gases may be programmed by the user if required

## Accessories

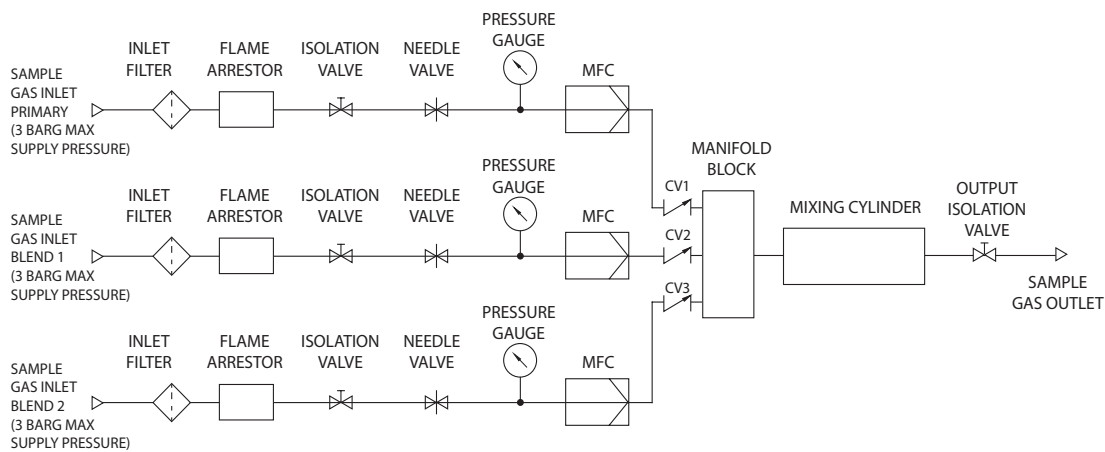
<b>Quick connect part numbers</b>	O <sub>2</sub> cleaned Swagelok®	PCR-QC02 SS-QC4-B-6MØ-SC11**
	Standard Swagelok®	PCR-QC SS-QC4-B-6MØ**
<b>PCR-BH</b>	Braided hose (1.8m)	

\*\*Order direct from Swagelok®

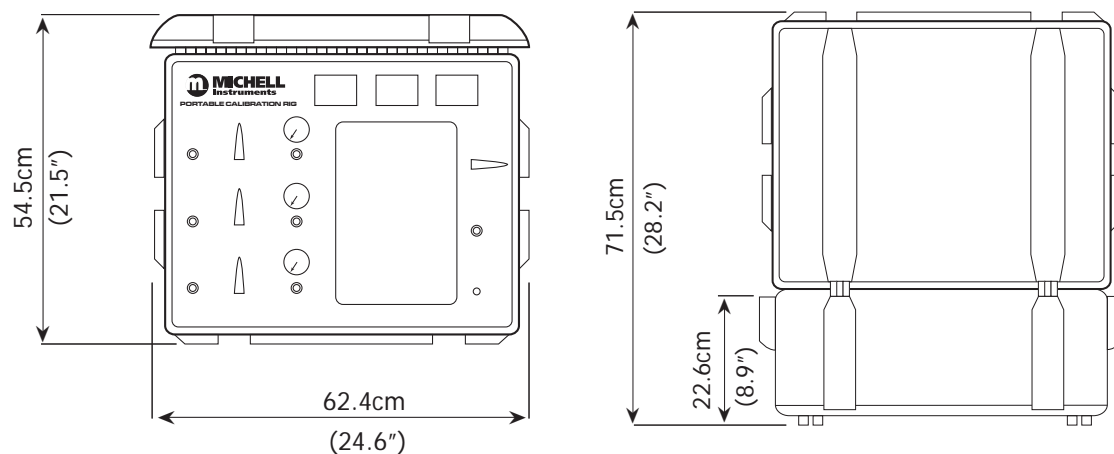
## Blend Accuracy

	2 MFC	3 MFC
Total Flow (ml/min)	Blend Accuracy (±)	Blend Accuracy (±)
300	1.10%	1.19%
600	0.78%	0.80%
900	0.68%	0.68%
1200	0.63%	0.63%
1500	0.60%	0.60%
2000	0.57%	0.57%
2500	0.56%	0.56%
3000	0.55%	0.55%
4500	XXX	0.53%

## Flow Schematic



## Dimensions



**Michell Instruments Ltd** 48 Lancaster Way Business Park, Ely, Cambridgeshire, CB6 3NW

Tel: +44 (0) 1353 658000, Fax: +44 (0) 1353 658199, Email: [uk.info@michell.com](mailto:uk.info@michell.com), Web: [www.michell.com/uk](http://www.michell.com/uk)

Michell Instruments adopts a continuous development programme which sometimes necessitates specification changes without notice.  
Issue no: PCR\_97435\_V1\_UK\_0613