



Temperature Controller JCT



RGC



JPXR4

JCT
Analysentechnik
GmbH

Sample Probes

Heated Hoses

Conditioners

NOx converter

Accessories

APPLICATION

- Universal temperature controller
- Recommended for heated hoses
- Fits for all JCT heated hoses
- For PWM (pulse width modulation) heating application
- For PT100 and thermocouple sensors

OPERATION

- Regulates temperature of heated hoses
- Solid state relay replaces electro-mechanical contactors
- Wide range operation voltage

FEATURES

- Set of solid state relay RGC and digital temperature controller JPXR4
- LED indication on JPXR4
- Display of set and actual value
- Self lifting clamps
- Self-optimising (autotuning)
- 4-20 mA output (optional)

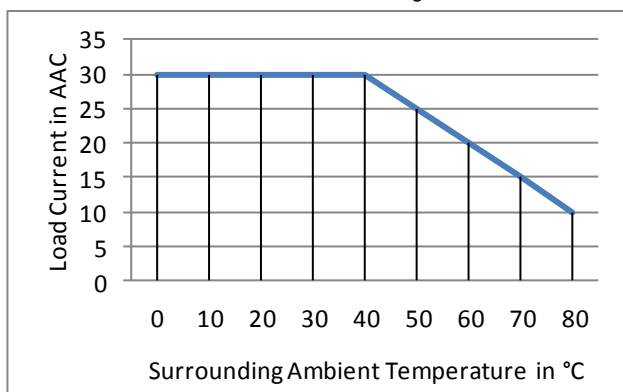
BENEFITS

- Easy installation
- High reliability
- High isolation voltage
- Easy set-up
- Status contact

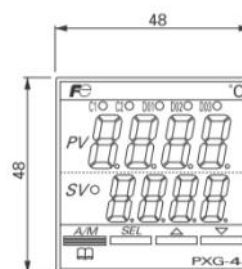


TECHNICAL DATA

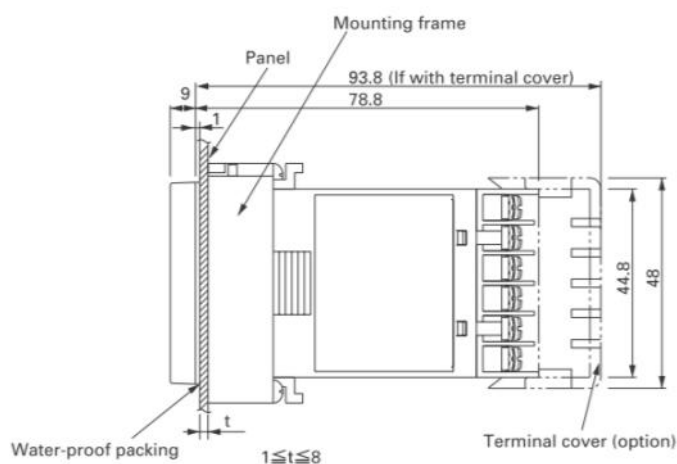
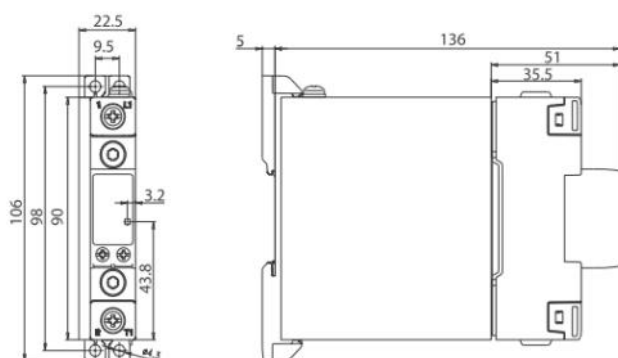
RCG Current Derating



JPXR4 Dimensions



RCG Dimensions



SPECIFICATIONS OF SOLID STATE RELAY

Operational voltage	42...600 VAC +10%/-15%, 45...65 Hz
Control voltage	4...32 VDC
Control current	10 mA @ 24 V
Rated current	@Ta 25°C 30 A
Surge current	580 Ap @ 25°C and t = 10 msec
Protection class	IP 20 (EN 60529)
Approvals	CE, UL, CSA, IEC
Clamps	control 0,5..2,5 mm ² load 2,5..6 mm ²
Housing dimensions	106 x 22,5 x 141 mm (HxBxD)
Weight	approx. 308 g

ORDER CODES

Solid State Relay RGC	89.00500
Temperature controller JPXR4 (not preconfigured)	89.00100
JPXR4 pre-configuration	89.90000

SPECIFICATIONS OF JPXR4

Rated operational voltage	100...240 VAC, 50/60 Hz +/- 10%
Power consumption	max. 12 VA
Relay contact output	SPDT contact, 220 VAC / 30 VDC 3A (resistive load)
SSR/SSC driving output	ON: 24 VDC (17 to 25 VDC) OFF: max. 0,5 VDC current: max. 20mA Resistive load min. 850Ω
Sensor types	PT100, Thermocouple -J, -K, -R, -B, -S, -T, -E, -N, -PL-II
Ambient temperature	-10...+50°C
Operating ambient humidity	max. 90%RH (no condensation)
Protection class	IP 20 (EN 60529)
Approvals	CE, UL, CSA
Housing dimensions	48 x 48 x 80 mm (HxBxD)
Weight	approx. 200 g

Specification subject to change without notice.

PDS_E_JTC_TemperatureController_v1.2

JCT Analysetechnik GmbH

Werner Heisenberg-Straße 4 A-2700 Wiener Neustadt
Tel. +43 (0) 2622 / 87201 Fax +43 (0) 2622 / 872011
E-Mail: sales@jct.at Web: www.jct.at

