

11-LD Condensate Drainer



APPLICATION

- For continuous condensate drainage, e.g. for sample gas cooler
- Where condensate outlet is located on bottom of the device
- Provides positive drainage of low volumes of liquid from sample gas under pressure

BENEFITS

- Maintenance free
- Corrosion resistant
- Tamper-proof unit without seals

FEATURES

- All parts are made of stainless steel
- Body and cap are welded together
- With free floating lever
- Elliptical floats
- Vertical mounting
- No adjustment needed



JCT

Analysentechnik
GmbH

Gas Sampling
Probes

Heated Sample
Lines

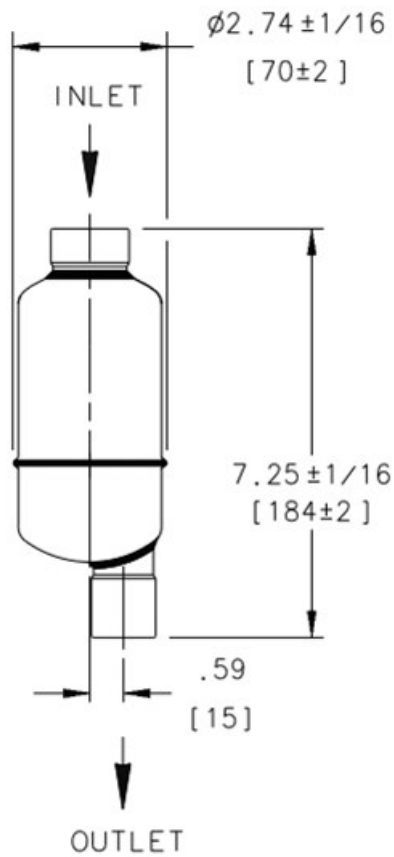
Sample Gas
Coolers

Gas
Converters

Accessories



TECHNICAL DATA



Dimensions Are In Inches[mm]

SPECIFICATIONS

Material	SS T304-L
Operating pressure	max. 35 bar @ 38°C max. 30 bar @ 260°C
Diff. Pressure	12 bar
Top Inlet	1/2" NPT
Bottom Outlet	1/2" NPT
Weight	800 g

ORDER CODE

Art. Nr.	Description
K9521500	11-LD Condensate Drainer
K1738066	Male connector SS 1/2" NPT for 12mm tube

Änderungen vorbehalten.

PDS_E_11-LD_Condensate Drainer_v1.3

JCT Analystechnik GmbH

Werner Heisenberg-Straße 4 A-2700 Wiener Neustadt
 Tel. +43 (0) 2622 / 87201 Fax +43 (0) 2622 / 872011
 E-Mail: sales@jct.at Web: www.jct.at

